



## TMP Solutions

Unit 6 Trident Drive, Wednesbury,  
West Midlands. WS10 7XB

0208 744 8201  
www.tmp.solutions



# Evo-S

Solar LED self-righting bollard  
Internally illuminated sign face

**PassiveSAFE**<sup>®</sup>

Rebounds on impact and fully compliant  
to BS EN 12767:2019

## Energy saving dusk to dawn operation

Internally illuminated, completely self-contained and solar powered, the Evo-S is the most innovative passively safe bollards in our range. Fully compliant and independently tested for use on the UK highway, the Evo-S displays an illuminated sign roundel on the front and a plain or reflective panel on the back.

- LED illuminated sign face
- Easy to install
- Single or double sided vinyl covering
- 100% Recycleable shell
- Luminance class L1
- BS 8442:2015 compliant
- All reflective material meets BS 8408:2005
- 12 Year 3M backed delamination warranty



## No external power needed

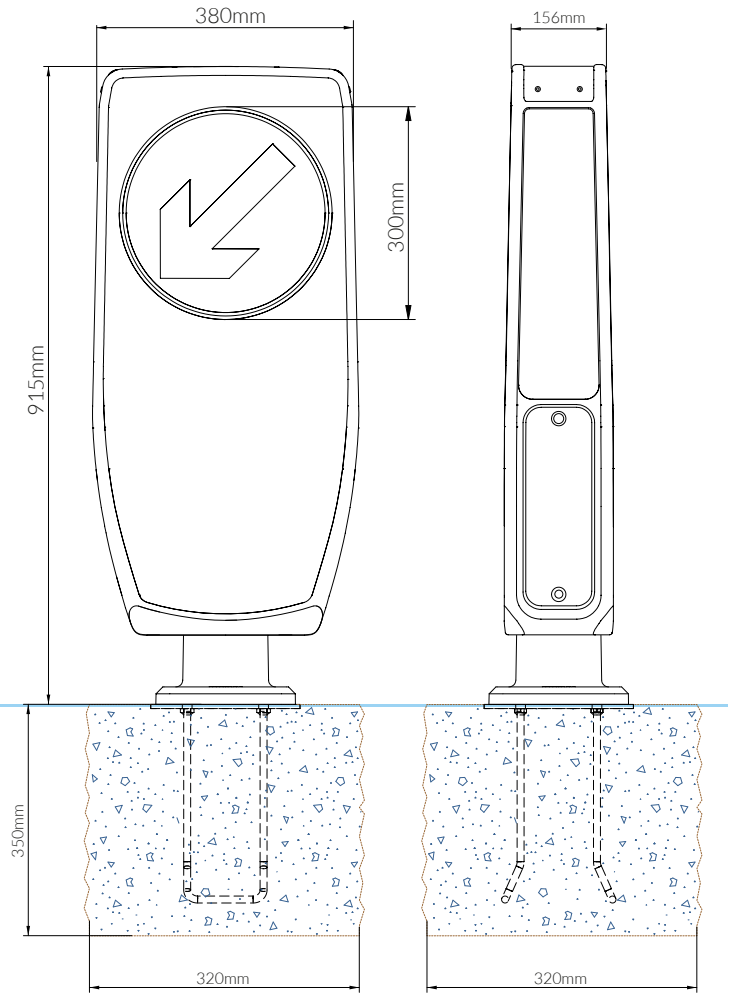
The Evo-S is perfect for all locations where a lit bollard is required to direct and inform traffic flow. An ideal energy saving replacement for traditional illuminated shell bollards, the Evo-S is available in single sided and double sided (Evo-S Plus) options. Please note that only the front roundel is illuminated.

## Versatile installation

The Each bollard comes complete with our patented base and can easily installed using the cast-in foundation cage or a retention socket and adaptor plate.

The EVO-S can also be retro-fitted to replace traditional base lit bollards by using the Universal Converter plate, which allows easy installation without the need to excavate or remove the existing light box / baselight.

# Specifications



<b>Material</b>	Rotationally moulded polyethylene
<b>Colour</b>	Black / White
<b>Protection</b>	Recessed reflective panels & anti-vandal fixings
<b>Ingress Protection</b>	IP56 (electrical components)
<b>Corrosive Resistance</b>	SP1/SP2
<b>Installation Options</b>	Foundation cage, base light conversion or 50x50 retention socket and adaptor
<b>Reflective Material</b>	3M Diamond Grade DG3 Series 4000 Fully compliant with Class R3B, EN12899-1:2007
<b>Sign Face</b>	300mm (single or double sided) Optional rear sign face is non-illuminated
<b>Front Reflector</b>	350mm wide x 771mm high
<b>Rear Reflector (optional)</b>	350mm wide x 771mm high
<b>Side Reflector</b>	114mm wide x 413mm high + 290mm wide x 90mm high
<b>BS8442:2015</b>	Fully compliant
<b>BS EN 12767:2007</b>	100:NE:4
<b>BS EN 12767:2019</b>	100-NE-A-R-NS-MD-0 70-NE-A-R-NS-MD-0 50-NE-A-R-NS-MD-0
<b>Warranty</b>	12yr Delamination warranty backed by 3M 3yr Manufacturer's warranty on the bollard 1yr Manufacturer's warranty on the batteries
<b>Recyclable</b>	Yes

## Maintenance

The Evo-S needs very little maintenance, but as with all devices installed on the highway, external surfaces should be periodically cleaned with diluted mild detergent. Batteries – The expected service life of the batteries is approximately 4-5 years. The batteries are easily accessible via the access doors on the side of the bollard.



## Versatile Installation



Foundation Cage



Retention Socket



Base Light Conversion

